



LVE35 Sprint

Three Wheel Lithium Forklift Truck

Go lithium and reduce your total cost of ownership vs traditional electric forklifts.

80v three wheel lithium forklift with dual AC drive motors and on-board opportunity charger supports easy deployment just about anywhere.



CAPACITY

3,500lbs at 24" load center to 130" with integral sideshift as standard equipment.

Triple stage wide view masts deliver maximum lift heights of up to 197"

BATTERY

80v UL recognized 230AH Li-Ion battery capable of fast charging, without need of regular maintenance or facility infrastructure such as eye wash stations.

Connector: Rema DIN 320

PERFORMANCE

TRAVEL

8.7 mph empty
8.1 mph loaded

LIFT

Up to 88.5 fpm empty
Up to 65 fpm loaded

LOWERING

Up to 86.6 fpm empty.
Up to 78.7 fpm loaded

TIRES

Front 18 x 7-15 solid pneumatic
Rear 15 x 4.5-8 solid pneumatic

OPERATOR COMPARTMENT

Operator compartment is spacious for such a small machine due to the purpose-built lithium design. Ergonomic controls are provided for lift, lower, tilt, and sideshift which are within easy reach of the operator. Visibility is excellent through the wide view mast. Power steering with assist knob, adjustable steering column & adjustable seat ensures comfortable working position and reduced fatigue during operation. Large mirror and overhead guard mounted hand rail aids operator when driving the in the reverse direction of travel. Programmable diagnostic digital display communicates travel speed, battery discharge information, hour meter, and fault codes.

HYDRAULICS

Three function for lift, tilt and sideshift as standard. Optional 4th valve, with control lever and hosing is available to support two function attachments.

ELECTRICAL 80v AC controller technology delivers high efficiency and performance while significantly reducing maintenance cost and extending vehicle service life.

Battery management system monitors lithium battery performance during operation and charging to help extend battery service life up far longer than traditional lead acid industrial batteries.

DRIVE UNIT AND BRAKES

Dual AC drive motors deliver smooth torque and speed curves matched to vehicle needs in real time for peak efficiency and performance. Regenerative neutral braking extends duty-cycle. Vehicle's wet disc hydraulic brakes and foot actuated parking brake ensure effective stopping power during operation and when on rated grades.

FRAME AND MAST Heavy duty steel chassis features long wheel-base, wide tires and low center of gravity for stable operation. Wide view mast with ITA class II carriage includes integral sideshift and load back rest.

STANDARD EQUIPMENT

- Headlights and brake lights
- Turn signals & back up alarm
- Adjustable seat and tilt steering column
- Integral sideshift with 3-function hyd
- Reverse travel grab handle with horn
- 42" x 4" x 1.57" Forks

OPTIONAL EQUIPMENT

- 4th hydraulic valve, control and hosing
- Hang-on sideshift in lieu of integral
- Sideshifting fork positioner
- 480vac, 240vac or 120vac charger
- Non-marking white tires
- 48" Forks, 48" or 60" LBR, Blue light

**5 year
10,000 hr
Lithium battery warranty**

Subject to terms and conditions

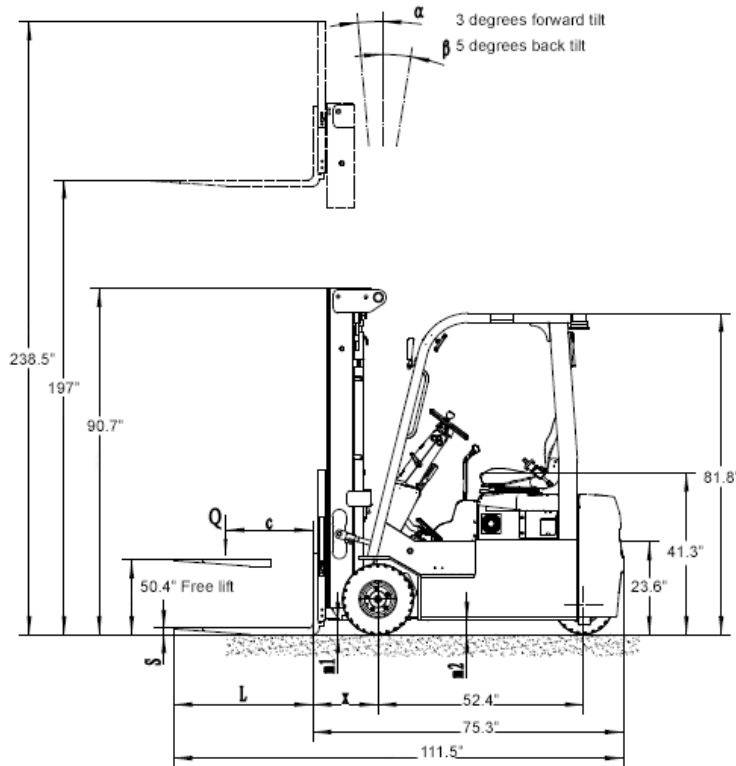
Fast charge, clean power, low cost

- 4-4.5 hour run time with up to 12% recharge every 15 minutes
- No fumes, watering, or eye wash stations required
- Lowest operating cost of any type of general purpose forklift

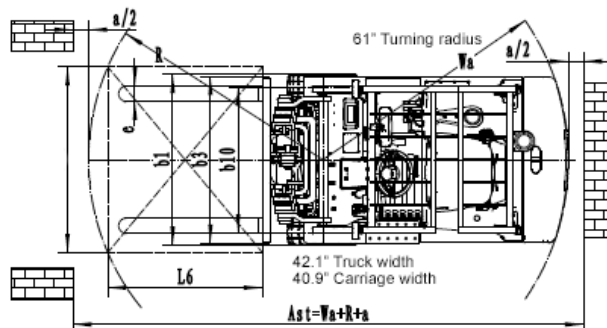
LVE35 Sprint Rated Capacity

3,500lbs. to 130" @ 24" LC
2,500lbs. to 189"/197" @ 24" LC

Gradeability: 10% Loaded 15% Unloaded



LVE35 Sprint Operator Compartment



LVE35 Sprint's on-board charger can be used with standard 120vac and 240vac outlets, making for easy deployment just about anywhere for long or short durations.

All measurements shown are in standard "inch" units

Truck Model 24" Load Center	Truck & Battery	Mast	Lift Height	Collapsed Height	² Free Lift	² Extended Height	Wheel Base	Turning Radius	**Weight (lbs)
--------------------------------	-----------------	------	-------------	------------------	------------------------	------------------------------	------------	----------------	----------------

3,500 lbs. Capacity*

LVE35-189	80v Lithium	Three Stage	189	88.2	47.8	230	52.3	61	7645
LVE35-197	80v Lithium	Three Stage	197	90.7	50.4	238	52.3	61	7678

* Derates to 2,500lbs above 130" elevation, ² With Load Backrest

** Estimated shipping weight with battery

Revolutionize your operations with the next generation of power technology